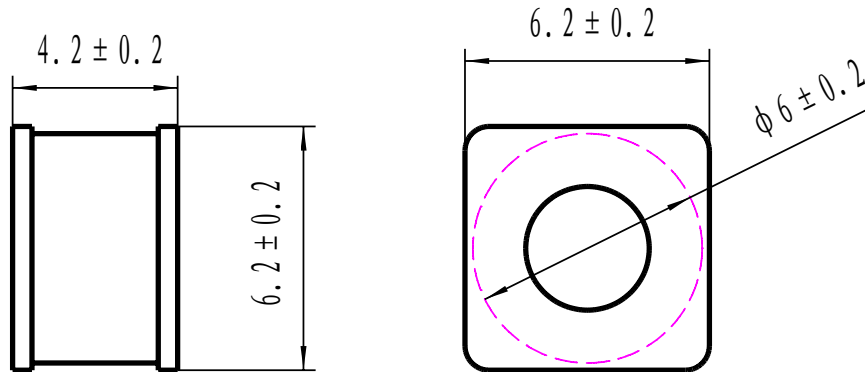




杭州东沃电子科技有限公司
HangZhou DongWo Electronic Technology Co., Ltd.
Specification of Gas discharge Tube
Part No.2R230TP (6.2*6.2*4.2)

一、外形尺寸/DIMENSION (Unit:mm, Scale:16:1)



二、电性能参数/ELECTRICAL CHARACTERISTICS
(terms in accordance with ITU-T K.12)

1、标称直流击穿电压 (Vs)	
Nom. DC spark-over voltage	230V
2、直流击穿电压范围 (100V/s)	
Tolerance of Vs	± 20%
3、冲击击穿电压 (1kV/μs)	
Impulse spark-over voltage	≤ 700V
4、耐脉冲冲击电流 (8/20 μs)	
Impulse discharge current	5kA
5、最大单次耐脉冲冲击电流 (8/20 μs)	
Max. Impulse discharge current	8kA
6、标称耐工频电流 (50Hz)	5A
Nom. alternating discharge current	
7、绝缘电阻 (DC100V)	≥ 1GΩ
Insulation resistance	
8、极间电容(1MHz)	≤ 1pF
Capacitance	
9、工作贮存温度	
Operation and storage temperature	-40 ~ 90℃
10、气候类型	
Climatic category(IEC 60068-1)	40/90/21
11、无放射性 Without Radioactivity	

三、包装信息(TP) Tape Package Information

- 1、数量 Quantity: 900pcs/reel box [900只/盘]
- 2、尺寸 Measurement: reel box:340*334*25mm

四、证书

Certificates

ISO9001:2000



E304047 E226846

