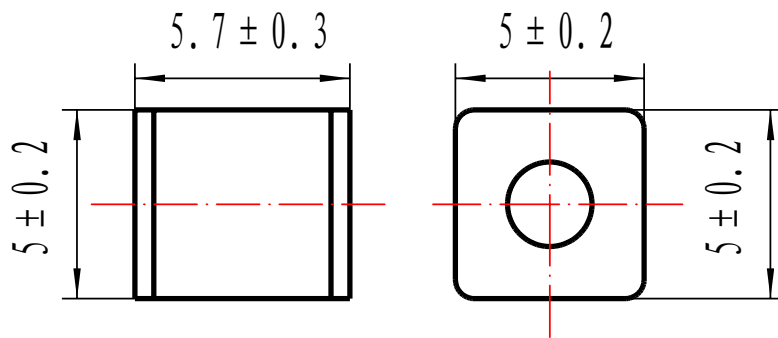




杭州东沃电子科技有限公司  
HangZhou DongWo Electronic Technology Co., Ltd.  
Specification of Gas discharge Tube  
Part No.2R70TP4 (5\*5\*5.7)

一、外形尺寸/DIMENSION (Unit:mm, Scale:5:1)



二、电性能参数/ELECTRICAL CHARACTERISTICS  
(terms in accordance with ITU-T K.12)

1、标称直流击穿电压 ( $V_s$ ) Nom. DC spark-over voltage	70V
2、直流击穿电压范围 (100V/s) Tolerance of $V_s$	$\pm 20\%$
3、冲击击穿电压 (1kV/ $\mu s$ ) Impulse spark-over voltage	$\leq 650V$
4、耐脉冲冲击电流 (8/20 $\mu s$ ) Impulse discharge current	3kA
5、标称耐工频电流 (50Hz) Nom. alternating discharge current	3A
6、绝缘电阻 (DC50V) Insulation resistance	$\geq 1G\Omega$
7、极间电容(1MHz) Capacitance	$\leq 1pF$
8、工作贮存温度 Operation and storage temperature	-40 ~ 90 $^{\circ}C$
9、气候类型 Climatic category(IEC 60068-1)	40/90/21
10、无放射性 Without Radioactivity	

三、包装信息(TP) Tape Package Information

- 1、数量 Quantity: 900pcs/reel box
- 2、尺寸 Measurement: reel box:  $\Phi 330*12.5mm$

四、证书

Certificates

ISO9001:2000



E304047 E226846



SGS