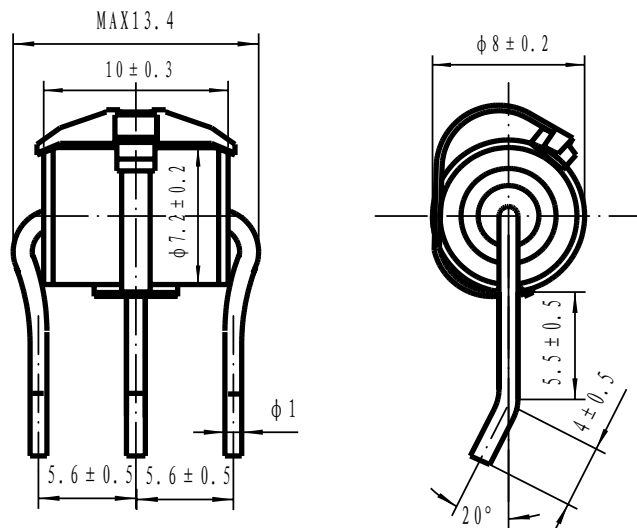




杭州东沃电子科技有限公司
HangZhou DongWo Electronic Technology Co., Ltd.
Specification of Gas discharge Tube
Part No.3R350P-FS1 (Φ8 × 10)

一、外形尺寸/DIMENSION (Unit:mm, Scale:2.5:1)



二、电性能参数/ELECTRICAL CHARACTERISTICS
(terms in accordance with ITU-T K.12)

1、标称直流击穿电压 (Vs)	
Nom. DC spark-over voltage	350V
2、直流击穿电压范围 (100V/s)	
Tolerance of Vs	± 20%
3、冲击击穿电压 (1kV/μs)	
Impulse spark-over voltage	≤ 850V
4、耐脉冲冲击电流 Impulse discharge current	
8/20 μs 10times	10kA
10/1000 μs 300times	100A
5、标称耐工频电流 (50Hz)	10A
Nom. alternating discharge current	
6、绝缘电阻 (DC100V)	≥ 10G Ω
Insulation resistance	
7、极间电容 (1MHz)	≤ 1.5pF
Capacitance	
8、工作贮存温度	
Operation and storage temperature	-40 ~ 90 °C
9、气候类型	
Climatic category (IEC 60068-1)	40/90/21
10、无放射性 Without Radioactivity	

三、包装信息 (3R) Package Information

- 1、数量 Quantity: 100pcs/plastic box, 5000pcs/carton
- 2、尺寸 Measurement: Plastic box: 197*167*9mm,
Carton: 360*210*260mm

四、证书

Certificates

ISO9001:2000



E304047 E226846

